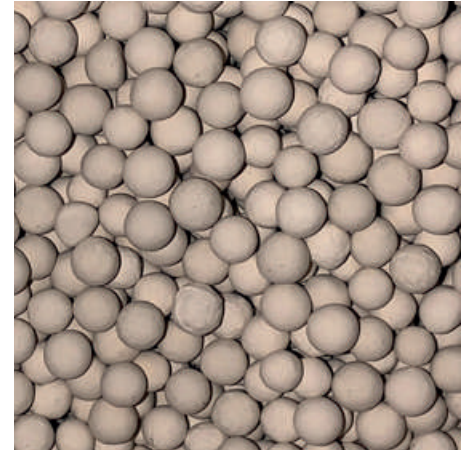


Clean, Dry Compressed Air Vacuum Regeneration WVM Generation 5

WVM 45 - WVM 750



Adsorption Dryers

Whether a compressed air user wants to control the growth of micro-organisms (essential for direct and in-direct contact applications in the food, beverage & pharmaceutical industries), ensure air used for critical applications / instrumentation is free from water contamination or has external piping where low ambient temperature can cause condensation, adsorption dryers are the go to dryer technology.

There are many different adsorption dryer technologies available and whilst they all reduce water from the compressed air in the same way, they differ in the way they regenerate the desiccant material.

Vacuum Regeneration Adsorption Dryers

Vacuum regeneration dryers do not use process air to regenerate the adsorbent desiccant material, instead they use ambient air for both regeneration and cooling (reducing energy consumption and process air loss).

For regeneration, the ambient air is heated and pulled across the desiccant bed using a vacuum pump. To cool the desiccant and ensure it is at the optimum temperature for adsorption, the heat source is simply removed, and the desiccant cooled to ambient temperature.

Vacuum regeneration dryers can be supplied with electric heaters or heat exchangers that utilise existing heat sources on site (steam, hot oil, etc.)



Advantages

- Parker WVM dryers provide a constant outlet dewpoint in accordance with ISO8573-1
- Air quality is enhanced when installed with Parker OIL-X High Efficiency Coalescing pre-filtration and General Purpose Dry Particulate post filtration
- No process air is used during regeneration & cooling of the desiccant material, reducing energy consumption
- Regeneration under vacuum further improves energy efficiency
- Can utilise existing heat sources (eliminating need for electrical heater) to further reduce energy consumption by using the following options: steam regeneration, steam / electric regeneration or hot water / electric regeneration
- Thermal insulation for reduction of heat loss and touch protection fitted as standard
- Full feature electronic control with dewpoint display and Energy Saving Technology fitted as standard
- Large flow capacities



ENGINEERING YOUR SUCCESS.

Dryer Performance

Dryer Models	Dewpoint (Standard)		ISO8573-1:2010 Classification (Standard)	Dewpoint (Option 1)		ISO8573-1:2010 Classification (Option 1)	Dewpoint (Option 2)		ISO8573-1:2010 Classification (Option 2)
	°C	°F		°C	°F		°C	°F	
WVM	-40	-40	Class 2.2.2	-70	-100	Class 2.1.2	-20	-4	Class 2.3.2

ISO8573-1 Classifications when used with Parker domnick hunter OIL-X pre / post filtration

Technical Data

Dryer Models	Minimum Operating Pressure		Maximum Operating Pressure*		Minimum Operating Temperature		Maximum Operating Temperature		Maximum Ambient Temperature		Electrical Supply (Standard)	Electrical Supply (Optional)	Connection	Noise Level dB(A)
	bar g	psi g	bar g	psi g	°C	°F	°C	°F	°C	°F				
WVM	4	58	11	145	5	41	40	104	40	104	400V 3ph 50Hz	On request	Flanged	80-85

*For higher operating pressure please contact Parker GSFE Division

Flow Rates

Model	Pipe Size	Inlet Flow Rate				Average Power kW
		L/s	m³/min	m³/hr	cfm	
WVM 45	DN 50	125	7.5	450	265	3.6
WVM 60	DN 50	169	10.2	610	359	5.3
WVM 80	DN 50	222	13.4	800	471	6.8
WVM 125	DN 80	325	19.5	1170	689	9.5
WVM 155	DN 80	408	24.5	1470	865	12.8
WVM 210	DN 80	569	34.2	2050	1207	16.8
WVM 310	DN 100	847	50.9	3050	1795	25.4
WVM 370	DN 100	1028	61.8	3700	2178	30.8
WVM 520	DN 150	1403	84.3	5050	2972	41.8
WVM 615	DN 150	1681	101.0	6050	3561	52.6
WVM 750	DN 150	2028	121.9	7300	4297	59.5

Inlet flow rate relating to 1 bar(a) and 20 °C; relating to the suction performance of the compressor, compression at 7 bar(g) and 35 °C dryer inlet temperature, at 25 °C ambient temperature, 60 % relative humidity.

Product Selection & Correction Factors

For correct operation, compressed air dryers must be sized using for the maximum inlet temperature, maximum ambient temperature, minimum inlet pressure, required outlet dewpoint and maximum flow rate of the installation.

To select a dryer, first calculate the MDC (Minimum Drying Capacity) using the formula below then select a dryer from the flow rate table above with a flow rate equal to or above the MDC.

Minimum Drying Capacity = System Flow x CFMIT x CFMAT x CFMIP x CFOD

CFMIT - Correction Factor Maximum Inlet Temperature

Maximum Inlet Temperature	°C	25	30	35	40
	°F	77	86	95	104
Correction Factor		0.80	0.91	1.00	1.80

CFAT - Correction Factor Maximum Ambient Temperature

Maximum Ambient Temperature	°C	20	25	30	35	40
	°F	68	77	86	95	104
Correction Factor		1.00	1.00	1.00	1.00	1.00

25% rel. hum. at 40°C; 37% rel. hum. at 35°C; 50% rel. hum. at 30°C; 70% rel. hum. at 25°C; 90% rel. hum. at 20°C
For higher ambient temperature and/or higher relative humidity please contact Parker GSFE Division.

CFMIP - Correction Factor Minimum Inlet Pressure

Minimum Inlet Pressure	bar g	4	5	6	7	8	9	10	11
	psi g	58	73	87	100	116	131	145	160
Correction Factor		2.00	1.39	1.18	1.00	0.99	0.87	0.79	0.56

CFOD - Correction Factor Outlet Dewpoint

Outlet Dewpoint	°C	-20	-25	-40	-70
	°F	-4	-13	-40	-100
Correction Factor		0.95	0.95	1.00	*

* Selection for Dewpoint -70°C - Please Contact Parker GSFE Division

Controller Functions (Basic)

Dryer Models	Controller Function							
	Power On Indication	Visual Fault Indication	Dewpoint Display	EST - Energy Saving Technology	Filter Service Indicator	Dryer Service Indicator	Fault Relay: Power Loss Dewpoint Alarm Sensor Failure	4-20mA Dewpoint Re-transmission
WVM	•	•	•	•		•	•	•

For all functions please contact Parker GSFE Division

Required Filtration

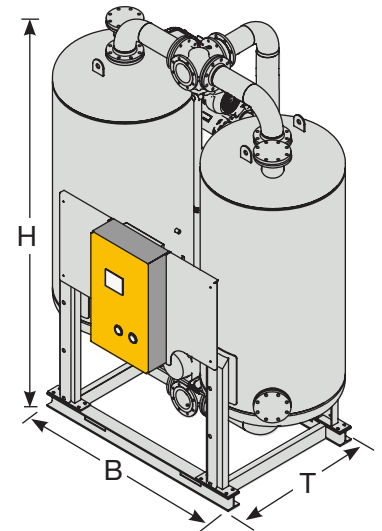
Model	Dryer Connection	Dryer Inlet	Dryer Outlet	
		High Efficiency Filter	Oil Vapour Reduction Filter	General Purpose Dry Particulate Filter
WVM 45	DN 50	AAPX035G	AK_W on request	AOPX035G
WVM 60	DN 50	AAPX040H		AOPX040H
WVM 80	DN 50	AAPX045I		AOPX045I
WVM 125	DN 80	AA065N		AO065N
WVM 155	DN 80	AA065N		AO065N
WVM 210	DN 80	AA065N		AO065N
WVM 310	DN 100	AA070O		AO070O
WVM 370	DN 100	AA070O		AO070O
WVM 520	DN 150	AA075P		AO075P
WVM 615	DN 150	AA075P		AO075P
WVM 750	DN 150	AA080P		AO080P

Filtration Performance	High Efficiency Filter	Oil Vapour Reduction Filter	General Purpose Dry Particulate Filter
Filtration Grade	Grade AA	≤0.003 mg/m ³ ≤0.003 ppm (w)	Grade AO
Filtration Type	Coalescing		Dry Particulate
Particle Reduction (inc water & oil aerosols)	Down to 0.01 micron		Down to 1 micron
Maximum Remaining Oil Aerosol Content at 21°C	≤0.01 mg/m ³ (≤0.01 ppm(w))		N/A
Maximum Remaining Oil Vapour Content at System Temperature	N/A		N/A
Filtration Efficiency	99.9999%		99.925%

Filters are not included and must be ordered separately

Weights & Dimensions

Model	Pipe Size	Dimensions (Dryer Only)						Weight (Dryer Only)	
		Height (H)		Width (W)		Depth (D)		kg	lbs
		mm	ins	mm	ins	mm	ins		
WVM 45	DN 50	2029	80	1222	48	1219	48	770	1698
WVM 60	DN 50	2029	80	1222	48	1219	48	800	1764
WVM 80	DN 50	2379	94	1222	48	1219	48	900	1985
WVM 125	DN 80	2151	85	1692	67	1412	56	1350	2977
WVM 155	DN 80	2301	91	1692	67	1412	56	1460	3219
WVM 210	DN 80	2751	108	1692	67	1462	58	1870	4123
WVM 310	DN 100	2692	106	2115	83	1702	67	2610	5755
WVM 370	DN 100	2992	118	2115	83	1702	67	2900	6395
WVM 520	DN 150	3210	126	2582	102	1910	75	4275	9426
WVM 615	DN 150	3460	136	2582	102	1910	75	4735	10441
WVM 750	DN 150	3450	137	2782	110	2010	79	5380	11863



Quality Assurance / IP Rating / Pressure Vessel Approvals

Development / Manufacture	ISO 9001 / ISO 14001 / OSHAS 18001
Ingress Protection Rating	IP54 Indoor Use Only
EU	Pressure vessel approved for fluid group 2 in accordance with the Pressure Equipment Directive 2014/68/EU
USA	Approval to ASME VIII Div. 1 on request
AUS	Approval to AS1210 on request
Russia	TR (formerly GOST-R) on request
For use with Compressed Air and Nitrogen Only	

Parker Worldwide

Europe, Middle East, Africa

AE – United Arab Emirates,

Dubai

Tel: +971 4 8127100

AT – Austria, St. Florian

Tel: +43 (0)7224 66201

AZ – Azerbaijan, Baku

Tel: +994 50 2233 458

BE/NL/LU – Benelux,

Hendrik Ido Ambacht

Tel: +31 (0)541 585 000

BY – Belarus, Minsk

Tel: +48 (0)22 573 24 00

CH – Switzerland, Etoy

Tel: +41 (0)21 821 87 00

CZ – Czech Republic,

Prague

Tel: +420 284 083 111

DE – Germany, Kaarst

Tel: +49 (0)2131 4016 0

DK – Denmark, Ballerup

Tel: +45 43 56 04 00

ES – Spain, Madrid

Tel: +34 902 330 001

FI – Finland, Vantaa

Tel: +358 (0)20 753 2500

FR – France, Contamine s/Arve

Tel: +33 (0)4 50 25 80 25

GR – Greece

Tel: +30 69 44 52 78 25

HU – Hungary, Budaörs

Tel: +36 23 885 470

IE – Ireland, Dublin

Tel: +353 (0)1 466 6370

IL – Israel

Tel: +39 02 45 19 21

IT – Italy, Corsico (MI)

Tel: +39 02 45 19 21

KZ – Kazakhstan, Almaty

Tel: +7 7273 561 000

NO – Norway, Asker

Tel: +47 66 75 34 00

PL – Poland, Warsaw

Tel: +48 (0)22 573 24 00

PT – Portugal

Tel: +351 22 999 7360

RO – Romania, Bucharest

Tel: +40 21 252 1382

RU – Russia, Moscow

Tel: +7 495 645-2156

SE – Sweden, Borås

Tel: +46 (0)8 59 79 50 00

SL – Slovenia, Novo Mesto

Tel: +386 7 337 6650

TR – Turkey, Istanbul

Tel: +90 216 4997081

UK – United Kingdom, Warwick

Tel: +44 (0)1926 317 878

ZA – South Africa, Kempton Park

Tel: +27 (0)11 961 0700

North America

CA – Canada, Milton, Ontario

Tel: +1 905 693 3000

US – USA, Cleveland

Tel: +1 216 896 3000

Asia Pacific

AU – Australia, Castle Hill

Tel: +61 (0)2-9634 7777

CN – China, Shanghai

Tel: +86 21 2899 5000

HK – Hong Kong

Tel: +852 2428 8008

IN – India, Mumbai

Tel: +91 22 6513 7081-85

JP – Japan, Tokyo

Tel: +81 (0)3 6408 3901

KR – South Korea, Seoul

Tel: +82 2 559 0400

MY – Malaysia, Shah Alam

Tel: +60 3 7849 0800

NZ – New Zealand, Mt Wellington

Tel: +64 9 574 1744

SG – Singapore

Tel: +65 6887 6300

TH – Thailand, Bangkok

Tel: +662 186 7000

TW – Taiwan, Taipei

Tel: +886 2 2298 8987

South America

AR – Argentina, Buenos Aires

Tel: +54 3327 44 4129

BR – Brazil, Sao Jose dos Campos

Tel: +55 080 0727 5374

CL – Chile, Santiago

Tel: +56 22 303 9640

MX – Mexico, Toluca

Tel: +52 72 2275 4200

EMEA Product Information Centre

Free phone: 00 800 27 27 5374

(from AT, BE, CH, CZ, DE, DK, EE, ES, FI, FR, IE, IL, IS, IT, LU, MT, NL, NO, PL, PT, RU, SE, SK, UK, ZA)

US Product Information Centre

Toll-free number: 1-800-27 27 537

www.parker.com

